


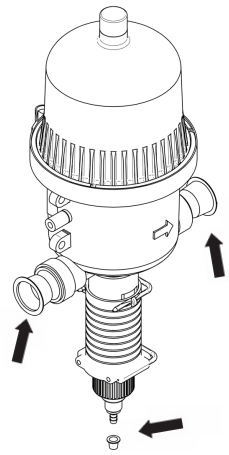
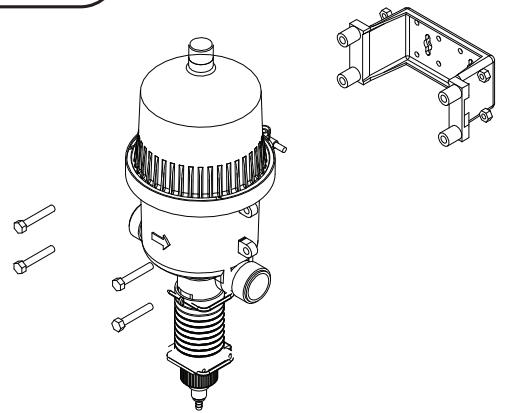
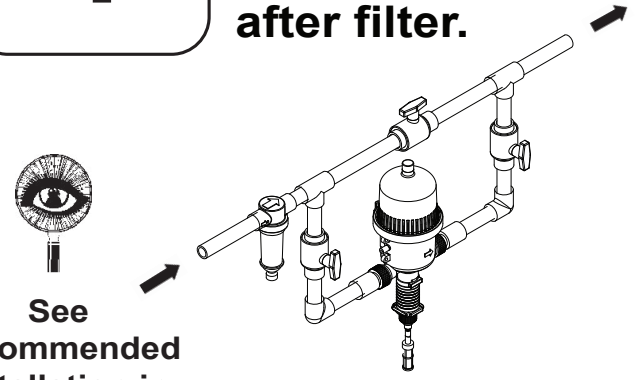


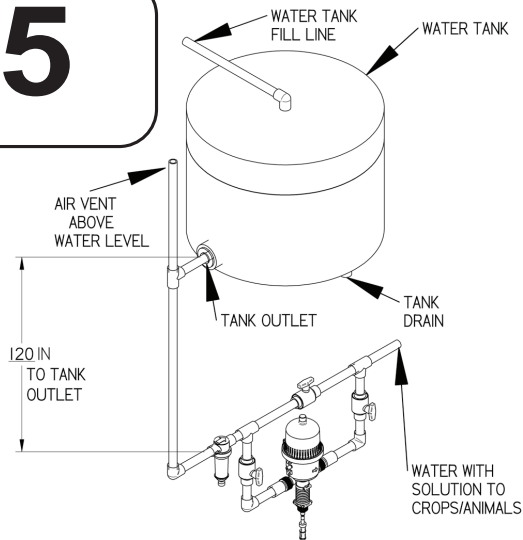
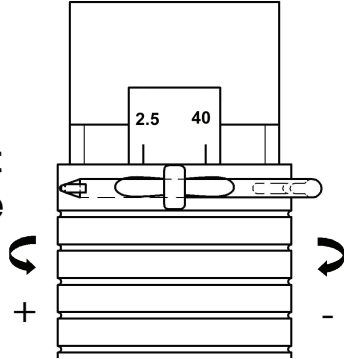
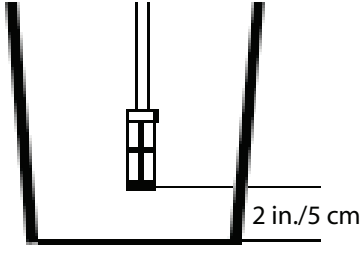

**For Additional Assistance:**  
**Refer to your Instruction Manual,**  
**Call (800) 344-6767 (U.S. or Canada) or +1 (972) 245-9765**  
**or contact the Dosmatic location near you (listed below).**

[www.dosmatic.com](http://www.dosmatic.com)



**ISO 9001:2000 Registered**  
**Quality Management System**

<p><b>1</b> Check contents for all items. List of items is in your manual.</p> 	<p><b>2</b></p> <p><b>STOP</b></p> <p>Remove protective red caps.</p> 	<p><b>3</b> Install mounting bracket and place unit on bracket.</p> 	<p><b>4</b> Connect unit to water supply after filter.</p> <p>See recommended installation in manual.</p> 
--	---	---	---

<p><b>5</b></p> 	<p><b>6</b> Set injection rate.</p> <p>Turn cylinder until line is set on appropriate ratio.</p>  <p>To increase - rotate upward          To decrease - rotate downward</p>	<p><b>7</b> Attach suction tube with filter to lower end of unit and place suction tube into solution container.</p> <p>Ensure suction tube is 2" inches (5 cm) off the bottom of the container.</p> 	<p><b>8</b></p>  <p><b>Gradually turn on water supply.</b></p>
---	--	--	---

**Important Notes:**

- \* Contact local authorities for requirements of backflow prevention
- \* The check valve protects the unit from water hammer (sold separately)
- \* The filter protects unit from debris that causes scoring (sold separately)
- \* Please refer to your Instruction Manual for more complete instruction information

*The Professional's Choice!*™

**Dosmatic U.S.A./International, Inc.**  
 1230 Crowley Cir.  
 Carrollton, TX 75006  
 Tel: (972) 245 9765  
 Fax: (972) 245 9000  
 Email: [info@dosmatic.com](mailto:info@dosmatic.com)

**Dosmatic Europe S.A.R.L.**  
 20 Route de Taillefer  
 33450 Montussan  
 (Bordeaux) France  
 Tel: (33)(0)5 57 97 13 13  
 Fax: (33) (0)5 57 97 10 19  
 Email: [info@dosmatic-europe.com](mailto:info@dosmatic-europe.com)

**Dosmatic Australia~New Zealand**  
 P.O. Box 9074  
 Wyoming, NSW 2250 Australia  
 Tel: (61) 2 43 29 09 05  
 Fax: (61) 2 43 29 09 04  
 Email: [doug.rowe@dosmatic-anz.com.au](mailto:doug.rowe@dosmatic-anz.com.au)

**Dosmatic Asia Co., Ltd.**  
 861/8 T.I.T. Tower Rm.1703  
 Satupradit Rd.  
 Bangkok, Thailand 10120  
 Tel: (66) 26 74 97 58  
 Fax: (66) 26 74 97 59  
 Email: [infor@dosmaticasia.com](mailto:infor@dosmaticasia.com)

**Dosmatic Japan/Toyo System Co. Ltd.**  
 Kakamigahara City,504 Japan  
 97 4 Kinzoka Danchi  
 Tel: (81)(0)0583 83 1135  
 Fax: (81) (0)0583 83 7319  
 Email: [hytem@mx2.ne.jp](mailto:hytem@mx2.ne.jp)

**Dosmatic Latin America**  
 Loria 398,4th Floor Of.16  
 Lomas de Zamora  
 CP B1832 IXH  
 Province of Buenos Aires, Argentina  
 Tel: (54) 11 4202 6048  
 Email: [gpadin@dosmaticla.com.ar](mailto:gpadin@dosmaticla.com.ar)

**Dosmatic Benelux**  
 Lerenveld 14  
 Lint 2547 Belgium  
 Tel: 32 3 488 7371  
 Fax: 32 3 488 0227  
 Email: [jozef.stolck@dosmatic-benelux.be](mailto:jozef.stolck@dosmatic-benelux.be)